

Fibox SPACE LINK

SPACE LINK product family provides excellent solutions for installation applications. Quick Link system with flexible flange opening design allows easy and straightforward methods to connect enclosure assemblies together. Open bases which can be closed by blind or knock-out flanges provide excellent accessibility and wiring space for installation, mounting and cable connection even after coupling enclosures together.



SPACE LINK



Modular structure



Quick-Link – Easy assembly



RoHS compliant and halogen-free

Large flange openings for easy assembly

COMPREHENSIVE ASSEMBLY SYSTEM

- New quick-link system plus a more rugged flange opening design making it easier to connect enclosure assemblies together.
- Flange support system works with popular bus bar systems (ABB, Wöhner, Weber, etc.) designed for 5 x 20 and 10 x 30 mm copper bars.
- DIN rail frames ease DIN module mounting and feature front plate corner brackets.
- Inspection windows with standard DIN 17.5/45 mm openings.

EXTENSION FRAMES

Available in 400 x 400 mm and when stacked create additional depth in 100mm increments., for example, 170mm, 270mm, 370mm, etc.

QUICK-LINK SYSTEM

Assembly of the enclosures faster than ever.

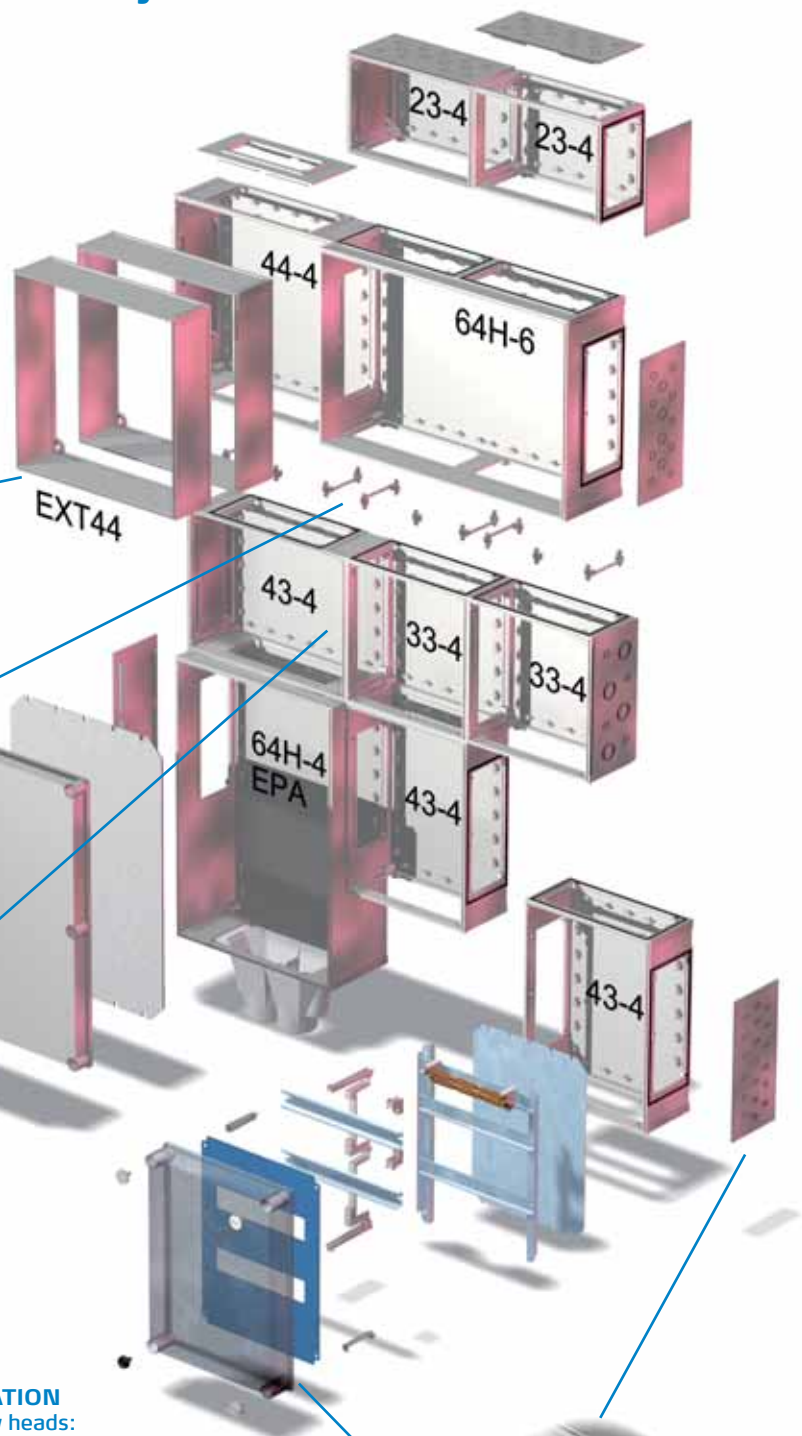


60 mm BUS-BAR SYSTEM



ACCESSORIES TO CUSTOMIZE YOUR APPLICATION

- Quick turn cover screws feature alternative screw heads: slotted, wing, blind and Phillips.
- Unique corner brackets permit variable depth mounting of front plates, DIN rail frames and mounting plates
- Corner hinge brackets permit inner swing panel to open 90 degrees.
- Wall mounting may be done directly through rear of enclosure.
- Sealing plugs maintain the IP/NEMA rating. Alternatively, optional wall mounting feet may be added using the brass mounting inserts on the rear of the enclosure.
- Inspection windows provide access to components, while maintaining IP/NEMA ratings.
- Hinges, spacers, ventilators, etc.
- Flange plates with knockouts or blank.
- Variety of cable glands, strain relief and conduit fittings.



SWING PANEL



MOUNTING RAILS AND PLATES

Internal mounting options include metal mounting panels, blue polycarbonate front plates, DIN rail assemblies with variable depth spacers.

SNAP-IN SYSTEM

Fastest way to assemble the flanges.



SPACE LINK EKI 23

200 x 300

PC: IP 65, IK 08

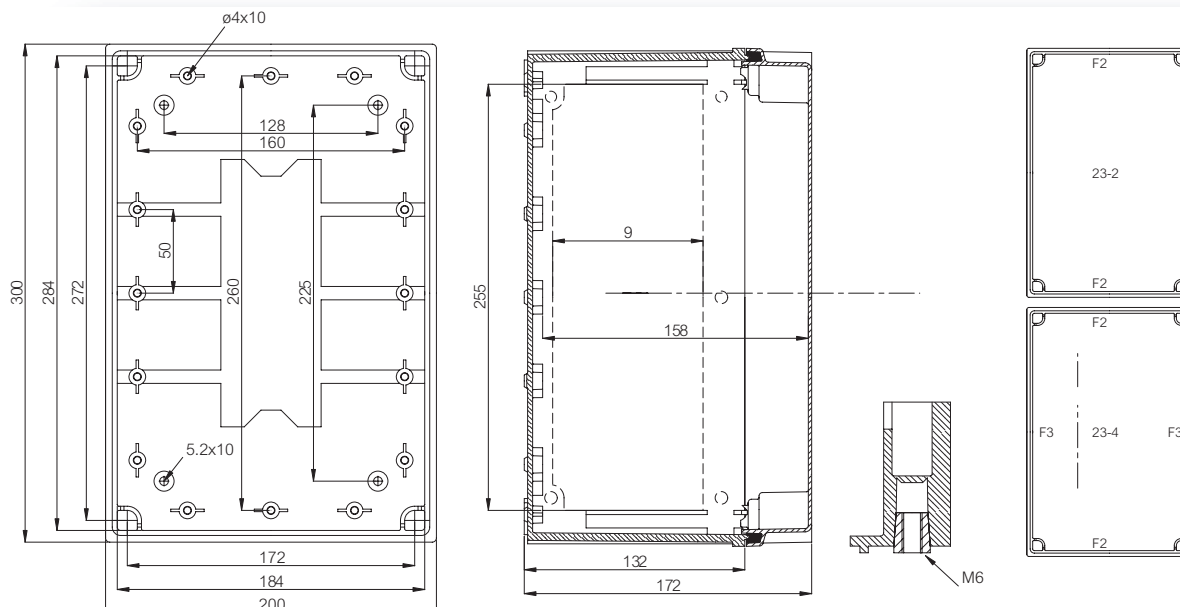
Including: Flanged Base with EPDM gasket at flange openings, screws for mounting plate/DIN-rail, internal corner plugs, cover with PUR gasket and CS 12137 cover screws.

Enclosures

Order symbol	Code	Dimensions	Description
EKI 23-2-170 G	8153300	200 x 300 x 170	Enclosure PC ▪ Grey cover
EKI 23-4-170 G	8153301	200 x 300 x 170	Enclosure PC ▪ Grey cover
EKI 23-2-170 T	8153000	200 x 300 x 170	Enclosure PC ▪ Smoked transparent cover
EKI 23-4-170 T	8153001	200 x 300 x 170	Enclosure PC ▪ Smoked transparent cover
EKI 23-2	4512032	200 x 300 x 130	Base PC with 2 openings ▪ 2xF2
EKI 23-4	4512005	200 x 300 x 130	Base PC with 4 openings ▪ 2xF2+2xF3
EKI 23/40G	4712308	200 x 300 x 40	Cover ▪ Grey, PC
EKI 23/40T	4712008	200 x 300 x 40	Cover ▪ Smoked transparent, PC

Accessories

Order symbol	Code	Dimensions	Description
EKIV 23	4712117	170 x 270	Mounting plate
EKIV 17	4712126	35 x 166	DIN-35 Mounting rail
EKIV 27	4712127	35 x 266	DIN-35 Mounting rail
FP A 23	8392226	166 x 268	Swing-out door/Front plate (aluminium)
MB 12225 AL	8390007		Swing door set ▪ for aluminium front plates
FP 23	8392285	268 x 176	Front plate ▪ Black
FP 12-23	8392218	178 x 278	Front plate ▪ 12 modules
DRF 23	4712200		DIN rail frame set ▪ incl. a pair of metal profile bar, mounting screws and front plate holders
DRF 33	4712205		DIN rail frame set ▪ incl. a pair of metal profile bar, mounting screws and front plate holders



SPACE LINK EKI 33

300 x 300

PC: IP 65, IK 08



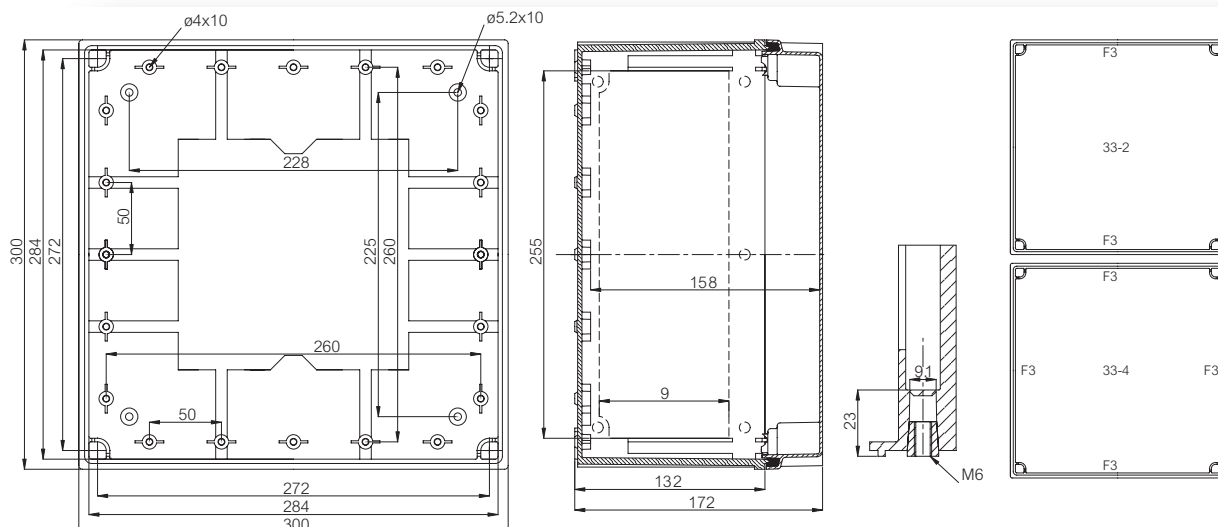
Including: Flanged Base with EPDM gasket at flange openings, screws for mounting plate/DIN-rail, internal corner plugs, cover with PUR gasket and CS 12137 cover screws.

Enclosures

Order symbol	Code	Dimensions	Description
EKI 33-2-170 G	8153302	300 x 300 x 170	Enclosure PC ▪ Grey cover
EKI 33-4-170 G	8153303	300 x 300 x 170	Enclosure PC ▪ Grey cover
EKI 33-2-170 T	8153002	300 x 300 x 170	Enclosure PC ▪ Smoked transparent cover
EKI 33-4-170 T	8153003	300 x 300 x 170	Enclosure PC ▪ Smoked transparent cover
EKI 33-2	4512033	300 x 300 x 130	Base PC with 2 openings ▪ 2xF3
EKI 33-4	4512004	300 x 300 x 130	Base PC with 4 openings ▪ 4xF3
EKI 33/40G	4712307	300 x 300 x 40	Cover ▪ Grey, PC
EKI 33/40T	4712007	300 x 300 x 40	Cover ▪ Smoked transparent, PC

Accessories

Order symbol	Code	Dimensions	Description
EKIV 33	4712118	270 x 270	Mounting plate
EKIV 27	4712127	35 x 266	DIN-35 Mounting rail
FP A 33	8392227	266 x 268	Swing-out door/Front plate (aluminium)
MB 12225 AL	8390007		Swing door set ▪ for aluminium front plates
FP 33	8392305	276 x 268	Front plate ▪ Black
FP 12-33	8392219	278 x 278	Front plate ▪ 12 modules
FP 12x2-33	8392220	278 x 278	Front plate ▪ 2x12 modules
DRF 33	4712205		DIN rail frame set ▪ incl. a pair of metal profile bar, mounting screws and front plate holders





SPACE LINK

EKI 43

400 x 300

PC: IP 65, IK 08

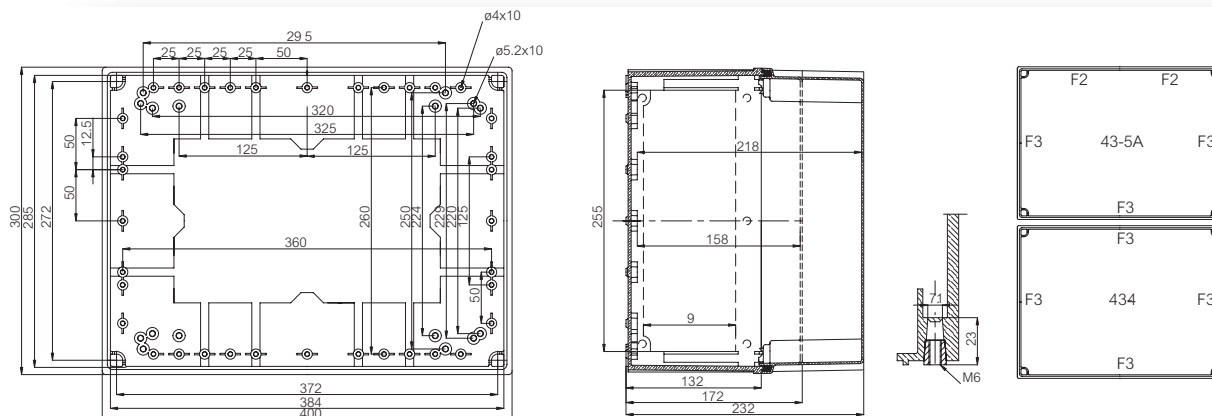
Including: Flanged Base with EPDM gasket at flange openings, screws for mounting plate/DIN-rail, internal corner plugs, cover with PUR gasket and CS 12137 cover screws.

Enclosures

Order symbol	Code	Dimensions	Description
EKI 43-4-170 G	8153306	400 x 300 x 170	Enclosure PC ▪ Grey cover
EKI 43-4-230 G	8153307	400 x 300 x 230	Enclosure PC ▪ Grey cover
EKI 43-5A-170 G	8153304	400 x 300 x 170	Enclosure PC ▪ Grey cover
EKI 43-5A-230 G	8153305	400 x 300 x 230	Enclosure PC ▪ Grey cover
EKI 43-4-170 T	8153006	400 x 300 x 170	Enclosure PC ▪ Smoked transparent cover
EKI 43-4-230 T	8153007	400 x 300 x 230	Enclosure PC ▪ Smoked transparent cover
EKI 43-5A-170 T	8153004	400 x 300 x 170	Enclosure PC ▪ Smoked transparent cover
EKI 43-5A-230 T	8153005	400 x 300 x 230	Enclosure PC ▪ Smoked transparent cover
EKI 43-2	4512034	400 x 300 x 130	Base PC with 2 openings ▪ 2xF3
EKI 43-4	4512006	400 x 300 x 130	Base PC with 4 openings ▪ 4xF3
EKI 43-5A	4512197	400 x 300 x 130	Adapter base PC with 5 openings ▪ 2xF2+3xF3
EKI 43/40G	4712309	400 x 300 x 40	Cover ▪ Grey, PC
EKI 43/100G	4712311	400 x 300 x 100	Cover ▪ Grey, PC
EKI 43/40T	4712009	400 x 300 x 40	Cover ▪ Smoked transparent, PC
EKI 43/100T	4712011	400 x 300 x 100	Cover ▪ Smoked transparent, PC

Accessories

Order symbol	Code	Dimensions	Description
EKIV 43	4712119	370 x 270	Mounting plate
EKIV 27	4712127	35 x 266	DIN-35 Mounting rail
EKIV 37	4712128	35 x 366	DIN-35 Mounting rail
FP A 43	8392224	266 x 368	Swing-out door/Front plate (aluminium)
MB 12225 AL	8390007		Swing door set ▪ for aluminium front plates
FP 43	8392306	376 x 268	Front plate ▪ Black
FP 12x2-43	8392222	378 x 278	Front plate ▪ 2x12 modules
FP 12x3-43	8392221	378 x 278	Front plate ▪ 3x12 modules
DRF 43/44	4712201		DIN rail frame set ▪ incl. a pair of metal profile bar, mounting screws and front plate holders



SPACE LINK EKI 44

400 x 400

PC: IP 65, IK 08

Including: Flanged Base with EPDM gasket at flange openings, screws for mounting plate/DIN-rail, internal corner plugs, cover with PUR gasket and CS 12137 cover screws.

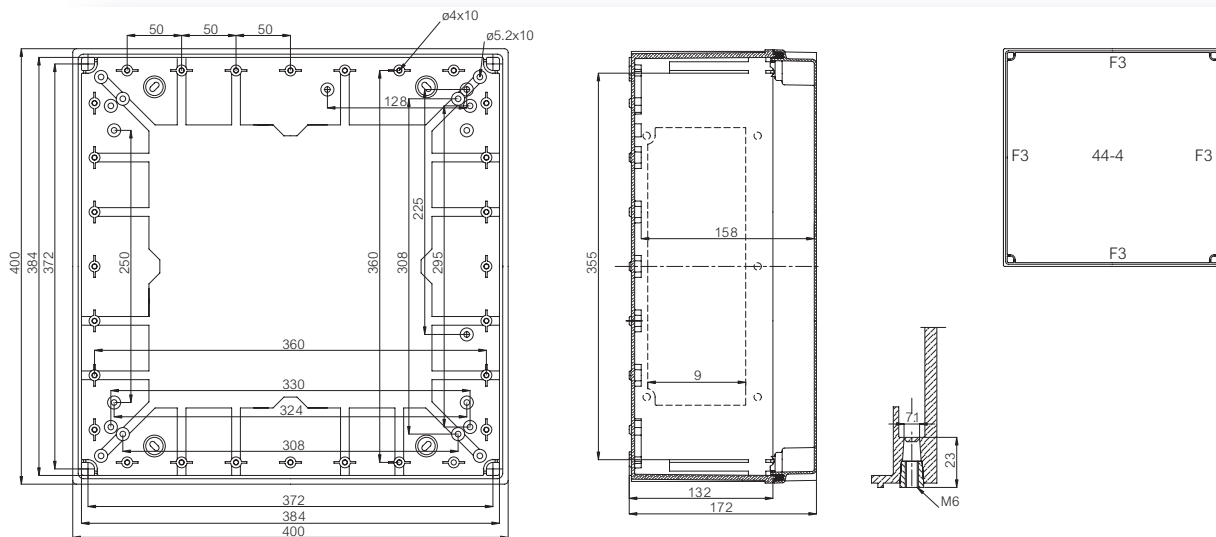


Enclosures

Order symbol	Code	Dimensions	Description
EKI 44-4-170 G	8153308	400 x 400 x 170	Enclosure PC ▪ Grey cover
EKI 44-4-170 T	8153008	400 x 400 x 170	Enclosure PC ▪ Smoked transparent cover
EKI 44-4	4512263	400 x 400 x 130	Base PC with 4 openings ▪ 4xF3
EKI 44/40G	4712366	400 x 400 x 40	Cover ▪ Grey, PC
EKI 44/40T	4712266	400 x 400 x 40	Cover ▪ Smoked transparent, PC

Accessories

Order symbol	Code	Dimensions	Description
EKIV 44	4712289	370 x 370	Mounting plate
EKIV 37	4712128	35 x 366	DIN-35 Mounting rail
FP A 44	8392272	368 x 368	Swing-out door/Front plate (aluminium)
MB 12225 AL	8390007		Swing door set ▪ for aluminium front plates
FP 44	8392316	376 x 368	Front plate ▪ Black
FP 18x2-44	8392286	378 x 378	Front plate ▪ 2x18 modules
EKI EXT 44	4512265	400 x 400 x 100	Extension frame
DRF 43/44	4712201		DIN rail frame set ▪ incl. a pair of metal profile bar, mounting screws and front plate holders





SPACE LINK EKI 63

600 x 300

PC: IP 65, IK 08

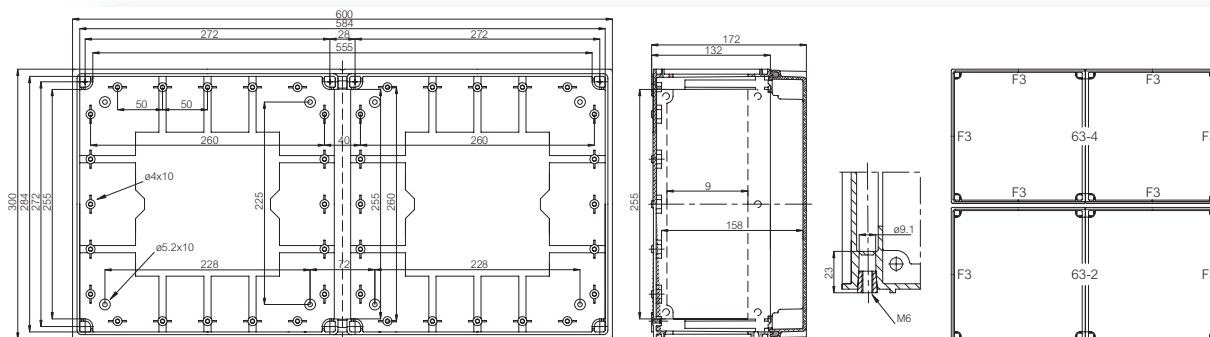
Including: Flanged Base with EPDM gasket at flange openings, screws for mounting plate/DIN-rail, internal corner plugs, cover with PUR gasket and CS 12137 cover screws.

Enclosures

Order symbol	Code	Dimensions	Description
EKI 63-6-170 G	8153309	600 x 300 x 170	Enclosure PC ▪ Grey cover
EKI 63-6-170 T	8153009	600 x 300 x 170	Enclosure PC ▪ Smoked transparent cover
EKI 63-6	4512030	600 x 300 x 130	Base PC with 6 openings ▪ 6x F3
EKI 63/40G	4712310	600 x 300 x 40	Cover ▪ Grey, PC
EKI 63/40T	4712010	600 x 300 x 40	Cover ▪ Smoked transparent, PC

Accessories

Order symbol	Code	Dimensions	Description
EKIV 63	4712120	570 x 270	Mounting plate ▪ Use with FA 12053
FA 12053	4712053		Spacer 14 mm ▪ M5 self-cutting
EKIV 37	4712128	35 x 366	DIN-35 Mounting rail
FP A 63	8392399	266 x 568	Swing-out door/Front plate (aluminium)
MB 12225 AL	8390007		Swing door set ▪ for aluminium front plates
FP 63	8392318	576 x 268	Front plate ▪ Black
FP 12x3-63	8392314	578 x 278	Front plate ▪ 3x12 modules
DRF 33	4712205		DIN rail frame set ▪ incl. a pair of metal profile bar, mounting screws and front plate holders



SPACE LINK EKI 64

600 x 400

PC: IP 65, IK 08

Including: Flanged Base with EPDM gasket at flange openings, screws for mounting plate/DIN-rail, internal corner plugs, cover with PUR gasket and CS 12137 cover screws.

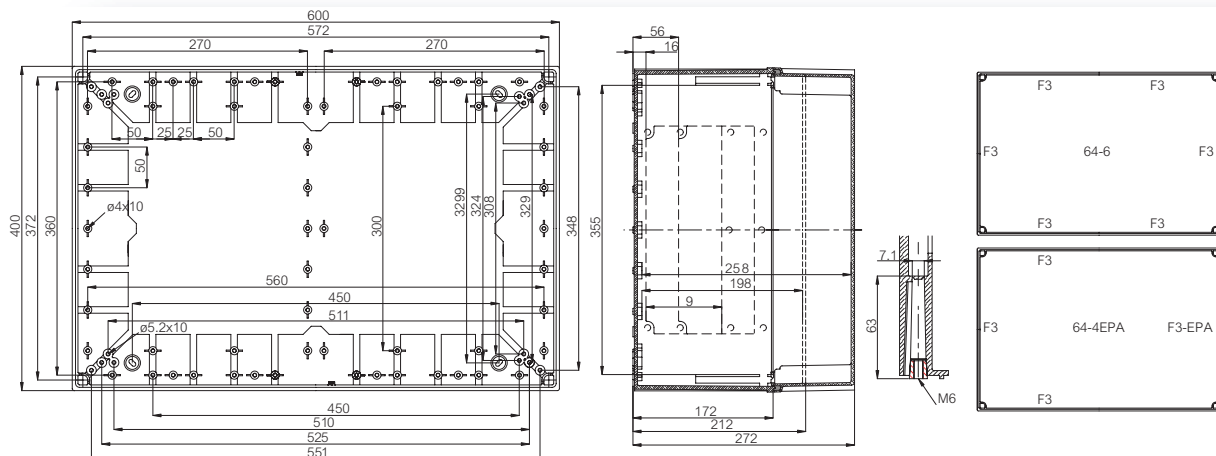


Enclosures

Order symbol	Code	Dimensions	Description
EKI 64H-6-210 G	8153312	600 x 400 x 210	Enclosure PC ▪ Grey cover
EKI 64H-6-270 G	8153313	600 x 400 x 270	Enclosure PC ▪ Grey cover
EKI 64H-4EPA-210 G	8153310	600 x 400 x 210	Enclosure PC ▪ Grey cover
EKI 64H-4EPA-270 G	8153311	600 x 400 x 270	Enclosure PC ▪ Grey cover
EKI 64H-6-210 T	8153012	600 x 400 x 210	Enclosure PC ▪ Smoked transparent cover
EKI 64H-6-270 T	8153013	600 x 400 x 270	Enclosure PC ▪ Smoked transparent cover
EKI 64H-4EPA-210 T	8153010	600 x 400 x 210	Enclosure PC ▪ Smoked transparent cover
EKI 64H-4EPA-270 T	8153011	600 x 400 x 270	Enclosure PC ▪ Smoked transparent cover
EKI 64H-6	4512275	600 x 400 x 170	Base PC with 6 openings ▪ 6xF3
EKI 64H-4EPA	4512270	600 x 400 x 170	Base PC with 4 openings ▪ 3xF3+F3-EPA
EKI 64/40G	4712312	600 x 400 x 40	Cover ▪ Grey, PC
EKI 64/100G	4712313	600 x 400 x 100	Cover ▪ Grey, PC
EKI 64/40T	4712012	600 x 400 x 40	Cover ▪ Smoked transparent, PC
EKI 64/100T	4712013	600 x 400 x 100	Cover ▪ Smoked transparent, PC

Accessories

Order symbol	Code	Dimensions	Description
EKIV 64H	4712300	570 x 370	Mounting plate
EKIV 37	4712128	35 x 366	DIN-35 Mounting rail
FP A 64	8392229	568 x 366	Swing-out door/Front plate (aluminium)
MB 12225 AL	8390007		Swing door set ▪ for aluminium front plates
FP 64	8392319	576 x 368	Front plate ▪ Black
FP 18x3-64	8392232	578 x 378	Front plate ▪ 3x18 modules
DRF 63/64	4712204		DIN rail frame set ▪ incl. a pair of metal profile bar, mounting screws and front plate holders



ACCESSORIES

Order symbol Code Description

Mounting plates (Galvanized steel, sheet thickness 1,5 mm)

EKIV 23	4712117	170 x 270
EKIV 33	4712118	270 x 270
EKIV 43	4712119	370 x 270
EKIV 44	4712289	370 x 370
EKIV 63	4712120	570 x 270 • Use with FA 12053
EKIV 64H	4712300	570 x 370



DIN-35 Mounting rails (Galvanized steel, rail height 7,5 mm)

EKIV 17	4712126	35 x 166
EKIV 27	4712127	35 x 266
EKIV 37	4712128	35 x 366
EKIV 47	8392231	35 x 466



DIN rail frame sets

DRF 23	4712200	DIN rail frame set • incl. a pair of metal profile bar, mounting screws and front plate holders
DRF 33	4712205	DIN rail frame set • incl. a pair of metal profile bar, mounting screws and front plate holders
DRF 43/44	4712201	DIN rail frame set • incl. a pair of metal profile bar, mounting screws and front plate holders
DRF 63/64	4712204	DIN rail frame set • incl. a pair of metal profile bar, mounting screws and front plate holders



Front plates (Aluminium, sheet thickness 1,5 mm)

FP A 23	8392226	166 x 268
FP A 33	8392227	266 x 268
FP A 43	8392224	266 x 368
FP A 44	8392272	368 x 368
FP A 63	8392399	266 x 568
FP A 64	8392229	568 x 366



Swing door sets

MB 12225 AL	8390007	Swing door set • for aluminium front plates
MB 12225	8390001	Swing door set • for plastic front plates



Front plate with module openings

FP 12-23	8392218	178 x 278 • 12 modules
FP 12-33	8392219	278 x 278 • 12 modules
FP 12x2-33	8392220	278 x 278 • 2x12 modules
FP 12x2-43	8392222	378 x 278 • 2x12 modules
FP 12x2-43 FP	8392223	378 x 278 • use with FP 12190
FP 12x3-43	8392221	378 x 278 • 3x12 modules
FP 18x2-44	8392286	378 x 378 • 2x18 modules
FP 12x3-63	8392314	578 x 278 • 3x12 modules
FP 18x3-64	8392232	578 x 378 • 3x18 modules



DIN rail supports

FP 12190	4512190	DIN rail support
FP 12190SET	4712190	DIN rail support set

Formed front plates

FP 23	8392285	268 x 176 • Black
FP 33	8392305	276 x 268 • Black
FP 43	8392306	376 x 268 • Black
FP 44	8392316	376 x 368 • Black
FP 63	8392318	576 x 268 • Black
FP 64	8392319	576 x 368 • Black

Hinges and wall mounting

PAT 12040	4512040	Hinge set • incl. screws
PAT 12090	4512094	Hinge set
FP 12017	4712045	Wall fastening lug (4 pcs) • incl. screws
SP 12087	4712087	Corner plug, red



ACCESSORIES

Order symbol	Code	Description
--------------	------	-------------

Cover screw heads and mounting screws

CS 12137	4512137	Cover screw head, blue ▪ crossed head
SS 12136	4712136	Cover screw head, grey ▪ slotted head
HS 12112	4712112	Cover screw head, grey ▪ wing head
BS 12138	4712138	Cover screw head, grey ▪ blind head
QUICK SET	8390002	Set includes 4x CS 12137, 4x SP 12087 and 4 mounting screws
MSM PT 5x10	4712049	Mounting screw
MSF	4712163	Mounting screw, self-cutting (+washer) ▪ for gland plate security mounting



Spacers

FA 12053	4712053	Spacer 14 mm ▪ M5 self-cutting
FA 12052	4712052	Spacer 42 mm ▪ M5 self-cutting
MB 10686	3730686	Set of 2 spacers including screws ▪ (15/34 mm)



Terminal bus-bars and supports

BBSF	4712386	Bush-bar support flange
BBSF LP	4712387	Lowering piece ▪ for bus.bar in BBSF
MS BAR 7 B	4712234	Earth bus-bar, DIN rail clip-on ▪ Blue
MS BAR 7 GY	4712235	Neutral Bus Bar, DIN rail clip-on ▪ Green/Yellow
MS TS	4712233	Terminal support, DIN rail clip-on
KN 2.9x9.5	3570566	Screw for busbar mounting to MS TS
MS BAR 2+18	4712199	PE/N terminal bus-bar 25+ 10 mm ²
MS BAR 3+24	4712236	Earth/Neutral Terminal bus-bar
MS BAR 96	4712231	Earth/Neutral Terminal bus-bar
MS BAR CLAMP	4712232	Terminal bus-bar clamp, 25 mm ²
MR 26145	5026145	Terminal bus-bar clamp, 35 mm ²

Polycarbonate plates

F3/12014	4512014	Cover plate, size F3
F3/12022	4512022	Polycarbonate flange, size F3 ▪ 12xPG16/9+7xPG16
F3/12088	4512088	Cable gland plate, size F3 ▪ 4xPG36/29+4xPG16
F3/12028	4512028	Cable gland plate, size F3 ▪ 4xPG21+9xPG16
F3/12187	4512187	Knock-out plate, size F3 ▪ 6xM20/M25+4xM25/M32
F3/12023	4512023	Cable gland plate, size F3 ▪ C-opening (SFS)
F3/EPA	4712288	Cable entry set, C-opening, size F3 ▪ incl. MB 12288 plate+2xFA 12114
F2/12015	4512015	Cover plate, size F2
F2/12042	4512042	Cable gland plate, size F2 ▪ 6xPG16/9+5xPG16
F2/12041	4512041	Cable gland plate, size F2 ▪ 4xPG16+3xPG21
F2/12069	4512069	Cable gland plate, size F2 ▪ 2xPG36+1xPG16
F2/12089	4512089	Cable gland plate, size F2 ▪ 4xPG16+3xPG29
F2/12238	4512238	Cable gland plate, size F2 ▪ 2xM50/M40+3xM20

Cable support flanges

F2/12291	4512291	Cable support flange, size F2
F3/12290	4512290	Cable support flange, size F3

Cable entry - Direct mount to flange opening

F2/12102	4512102	Cable entry, size F2 ▪ for cable 1x30-60 mm
F3/12101	4512101	Cable entry, size F3 ▪ for cable 2x30-60 mm
MB F3F2	4712224	Cable entry mounting set ▪ incl.supports and screws
MK 10428	3510428	Rubber cushion, size 2 ▪ for cable entry



Enclosure base assembly

MB 12287F3 set	4712287	Connector set
FA 12109	4712109	Lock pin set

Fastening of big systems

EKSZY2	3570572	Stud rail ▪ standard lenght 2000 mm
EKIY 1	4712408	Connecting rail ▪ standard lenght 2000 mm
EKZKH1	3570613	Sleeve lock for connecting rail

SPACE LINK technical information

Property	Polycarbonate (PC)
Ingress Protection (EN 60529)	IP 65
Impact Resistance (EN 62262)	IK 08
Temperature Range Celsius	-40° . . 120°C
(short term) Fahrenheit	-40° . . 250°F
Temperature Range Celsius	-40° . . 80°C
(continuous) Fahrenheit	-40° . . 175°F
Electrical Insulation	Totally insulated B
Light Grey Parts Colour	RAL 7035 Industry Grey
Transparent Clear PC Cover	Smoked Grey
Cover Screw Heads	RAL 5023
Cover Screw Heads	Polyamide (PA)
Gasket	PUR/EPDM
Enclosure Flammability Rating	UL 94-5V
Glow Wire Test (IEC 695-2-1) Self-extinguishing (PC)	960°C
Non-toxicity	Halogen Free
UV resistance	UL 508 720 hours in "Weatherometer"
Chemical Resistance *	Good

Confirmity to standards

USA Enclosures for Electrical Equipment
PC: NEMA 1, 3, 3S, 12 or 13; UL 746C-5VA flame test
(UL 50/508)

Canada Industrial Control Equipment
Enclosures for Electrical Equipment/ULc

Europe Empty enclosures for low-voltage switchgear and
controlgear assemblies EN 62208:2003 (50298:1998)

Europe Safety of Information Technology Equipment
EN 60950

RoHS directive 2002/95/EC

Russia GostR - Gost Russian certificate of conformity

Data subject to change without notice.

*Consult separate raw material data for more detailed information



FIBOX – Solutions for demanding environments