

Fibox PICCOLO

PICCOLO range is especially designed to house push buttons, terminal blocks, motor starters and electronic devices. They are also ideal for mounting and protecting process control sensors and switches. PICCOLO range is available in polycarbonate and ABS.



PICCOLO



High quality surface
for printing



Designed for push-buttons



RoHS compliant and
halogen-free

PICCOLO PC/ABS B

110 x 80

PC: IP 66/IP 67, IK 08
ABS: IP 66/IP 67, IK 07

Including: Base with screws for mounting plate/DIN-rail, cover with PUR gasket and polyamide cover screws.

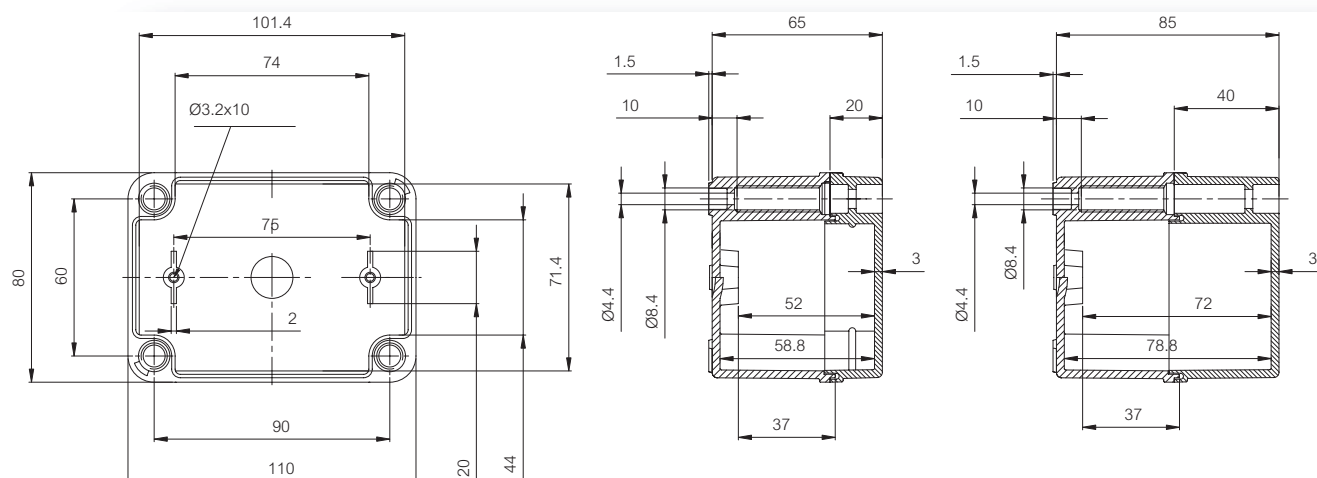


Enclosures

Order symbol	Code	Dimensions	Description
PC B 65 G	8724303	110 x 80 x 65	Enclosure, PC • Grey cover
PC B 85 G	8724304	110 x 80 x 85	Enclosure, PC • Grey cover
PC B 65 T	8724003	110 x 80 x 65	Enclosure, PC • Transparent cover
PC B 85 T	8724004	110 x 80 x 85	Enclosure, PC • Transparent cover
ABS B 65 G	8784303	110 x 80 x 65	Enclosure, ABS • Grey cover
ABS B 85 G	8784304	110 x 80 x 85	Enclosure, ABS • Grey cover
ABS B 65 T	8784003	110 x 80 x 65	Enclosure, ABS • Transparent cover
ABS B 85 T	8784004	110 x 80 x 85	Enclosure, ABS • Transparent cover

Accessories

Order symbol	Code	Dimensions	Description
B-MP	8524060	80 x 54	Mounting plate
B-3	8524030	35 x 80	DIN-35 Mounting rail
FP 22040	8522340		Wall fastening lug (2 pcs) • incl. screws





PICCOLO PC/ABS C

140 x 80

PC: IP 66/IP 67, IK 08
ABS: IP 66/IP 67, IK 07

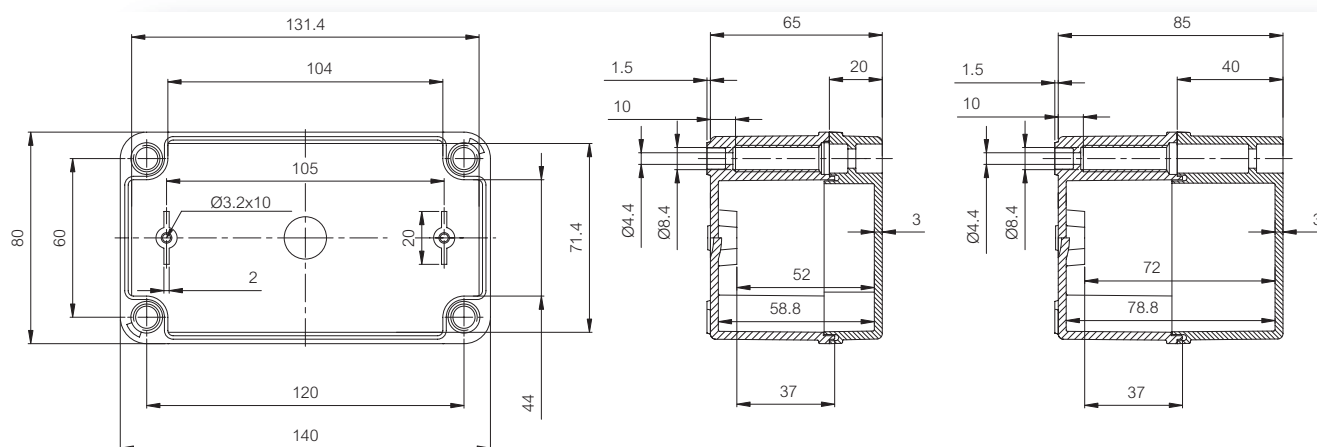
Including: Base with screws for mounting plate/DIN-rail, cover with PUR gasket and polyamide cover screws.

Enclosures

Order symbol	Code	Dimensions	Description
PC C 65 G	8724305	140 x 80 x 65	Enclosure, PC • Grey cover
PC C 85 G	8724306	140 x 80 x 85	Enclosure, PC • Grey cover
PC C 65 T	8724005	140 x 80 x 65	Enclosure, PC • Transparent cover
PC C 85 T	8724006	140 x 80 x 85	Enclosure, PC • Transparent cover
ABS C 65 G	8784305	140 x 80 x 65	Enclosure, ABS • Grey cover
ABS C 85 G	8784306	140 x 80 x 85	Enclosure, ABS • Grey cover
ABS C 65 T	8784005	140 x 80 x 65	Enclosure, ABS • Transparent cover
ABS C 85 T	8784006	140 x 80 x 85	Enclosure, ABS • Transparent cover

Accessories

Order symbol	Code	Dimensions	Description
C-MP	8524061	110 x 54	Mounting plate
CHM-3	8524031	35 x 110	DIN-35 Mounting rail
FP 22040	8522340		Wall fastening lug (2 pcs) • incl. screws



PICCOLO PC/ABS D

170 x 80

PC: IP 66/IP 67, IK 08
ABS: IP 66/IP 67, IK 07

Including: Base with screws for mounting plate/DIN-rail, cover with PUR gasket and polyamide cover screws.

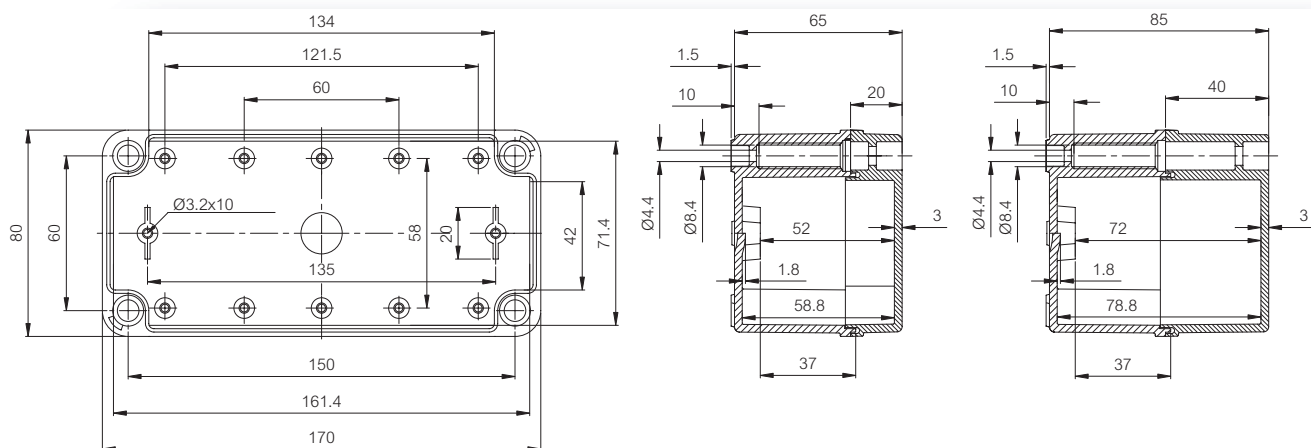


Enclosures

Order symbol	Code	Dimensions	Description
PC D 65 G	8724307	170 x 80 x 65	Enclosure, PC • Grey cover
PC D 85 G	8724308	170 x 80 x 85	Enclosure, PC • Grey cover
PC D 65 T	8724007	170 x 80 x 65	Enclosure, PC • Transparent cover
PC D 85 T	8724008	170 x 80 x 85	Enclosure, PC • Transparent cover
ABS D 65 G	8784307	170 x 80 x 65	Enclosure, ABS • Grey cover
ABS D 85 G	8784308	170 x 80 x 85	Enclosure, ABS • Grey cover
ABS D 65 T	8784007	170 x 80 x 65	Enclosure, ABS • Transparent cover
ABS D 85 T	8784008	170 x 80 x 85	Enclosure, ABS • Transparent cover

Accessories

Order symbol	Code	Dimensions	Description
D-MP	8524062	140 x 54	Mounting plate
DH-3	8524032	35 x 140	DIN-35 Mounting rail
FP 22040	8522340		Wall fastening lug (2 pcs) • incl. screws





PICCOLO PC/ABS F

230 x 80

PC: IP 66/IP 67, IK 08
ABS: IP 66/IP 67, IK 07

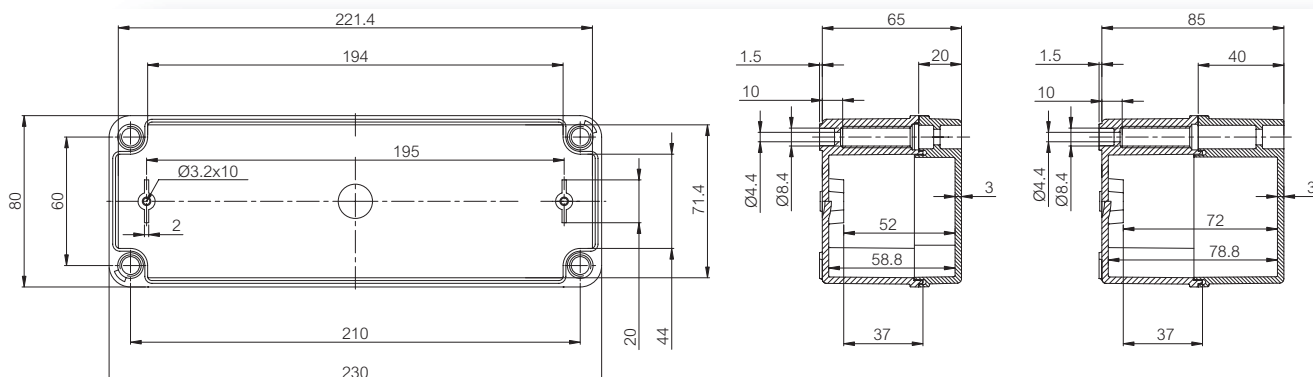
Including: Base with screws for mounting plate/DIN-rail, cover with PUR gasket and polyamide cover screws.

Enclosures

Order symbol	Code	Dimensions	Description
PC F 65 G	8724311	230 x 80 x 65	Enclosure, PC • Grey cover
PC F 85 G	8724312	230 x 80 x 85	Enclosure, PC • Grey cover
PC F 65 T	8724011	230 x 80 x 65	Enclosure, PC • Transparent cover
PC F 85 T	8724012	230 x 80 x 85	Enclosure, PC • Transparent cover
ABS F 65 G	8784311	230 x 80 x 65	Enclosure, ABS • Grey cover
ABS F 85 G	8784312	230 x 80 x 85	Enclosure, ABS • Grey cover
ABS F 65 T	8784011	230 x 80 x 65	Enclosure, ABS • Transparent cover
ABS F 85 T	8784012	230 x 80 x 85	Enclosure, ABS • Transparent cover

Accessories

Order symbol	Code	Dimensions	Description
F-MP	8524063	200 x 54	Mounting plate
FM-3	8524033	35 x 200	DIN-35 Mounting rail
FP 22040	8522340		Wall fastening lug (2 pcs) • incl. screws



PICCOLO PC/ABS H

170 x 140

PC: IP 66/IP 67, IK 08
ABS: IP 66/IP 67, IK 07

Including: Base with screws for mounting plate/DIN-rail, cover with PUR gasket and polyamide cover screws.

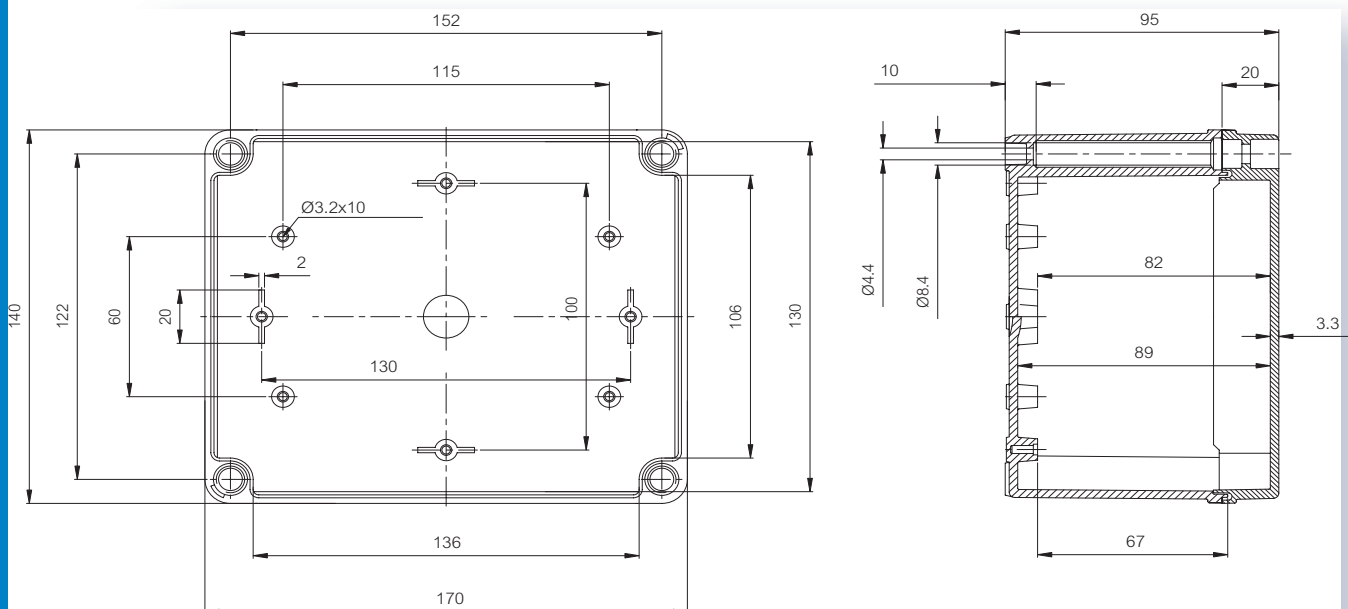


Enclosures

Order symbol	Code	Dimensions	Description
PC H 95 G	8724315	170 x 140 x 95	Enclosure, PC • Grey cover
PC H 95 T	8724015	170 x 140 x 95	Enclosure, PC • Transparent cover
ABS H 95 G	8784315	170 x 140 x 95	Enclosure, ABS • Grey cover
ABS H 95 T	8784015	170 x 140 x 95	Enclosure, ABS • Transparent cover

Accessories

Order symbol	Code	Dimensions	Description
H-MP	8524064	125 x 94	Mounting plate
CHM-3	8524031	35 x 110	DIN-35 Mounting rail
DH-3	8524032	35 x 140	DIN-35 Mounting rail
FP 22046	8522346		Wall fastening lug (4 pcs) • incl. screws





PICCOLO PC/ABS M

230 x 140

PC: IP 66/IP 67, IK 08
ABS: IP 66/IP 67, IK 07

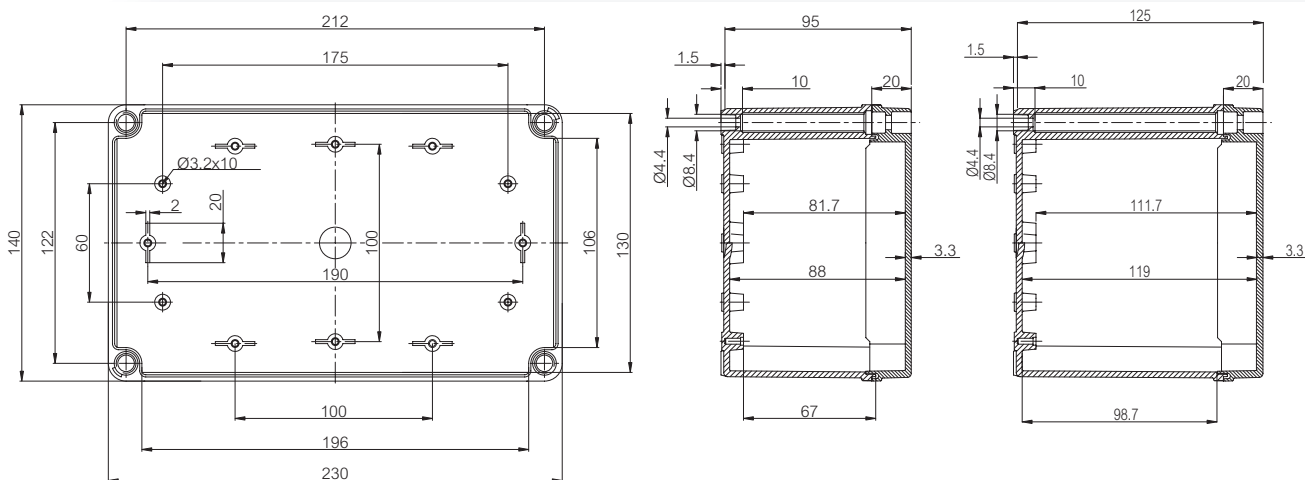
Including: Base with screws for mounting plate/DIN-rail, cover with PUR gasket and polyamide cover screws.

Enclosures

Order symbol	Code	Dimensions	Description
PC M 95 G	8724318	230 x 140 x 95	Enclosure, PC • Grey cover
PC MH 125 G	8724319	230 x 140 x 125	Enclosure, PC • Grey cover
PC M 95 T	8724018	230 x 140 x 95	Enclosure, PC • Transparent cover
PC MH 125 T	8724019	230 x 140 x 125	Enclosure, PC • Transparent cover
ABS M 95 G	8784318	230 x 140 x 95	Enclosure, ABS • Grey cover
ABS MH 125 G	8784319	230 x 140 x 125	Enclosure, ABS • Grey cover
ABS M 95 T	8784018	230 x 140 x 95	Enclosure, ABS • Transparent cover
ABS MH 125 T	8784019	230 x 140 x 125	Enclosure, ABS • Transparent cover

Accessories

Order symbol	Code	Dimensions	Description
M-MP	8524065	185 x 94	Mounting plate
CHM-3	8524031	35 x 110	DIN-35 Mounting rail
FM-3	8524033	35 x 200	DIN-35 Mounting rail
FP 22046	8522346		Wall fastening lug (4 pcs) • incl. screws



ACCESSORIES

Order symbol Code Description

Mounting plates (Galvanized steel, sheet thickness 1,5 mm)

B-MP	8524060	80 x 54
C-MP	8524061	110 x 54
D-MP	8524062	140 x 54
F-MP	8524063	200 x 54
H-MP	8524064	125 x 94
M-MP	8524065	185 x 94

DIN-35 Mounting rails (Galvanized steel, rail height 7,5 mm)

B-3	8524030	35 x 80
CHM-3	8524031	35 x 110
DH-3	8524032	35 x 140
FM-3	8524033	35 x 200

Hinges and wall mounting

PA 22039	8522339	Hinges (2 pcs) • incl. screws
TH A	9802001	Grey plastic hinges (2 pcs) • incl. mounting screws
FP 22040	8522340	Wall fastening lug (2 pcs) • incl. screws
FP 22046	8522346	Wall fastening lug (4 pcs) • incl. screws

Cover and mounting screws

S-20	8522001	Cover screw, grey, polyamide • for 20mm cover
S-40	8522002	Cover screw, grey, polyamide • for 40mm cover
MB S-20KN	8524001	Screw set • incl. 4x S-20 + 4x KN 3.9x9.5
MB S-40KN	8524002	Screw set • incl. 4x S-40 + 4x KN 3.9x9.5
KN 3.9x9.5	5514042	Mounting screw



PICCOLO technical information

Property	Polycarbonate (PC)	ABS
Ingress Protection (EN 60529)	IP 66/IP 67	IP 66/IP 67
Impact Resistance (EN 62262)	IK 08	IK 07
Temperature Range Celsius (short term)	-40°...120°C	-40°...80°C
Temperature Range Celsius (continuous)	-40°...80°C	-40°...60°C
Temperature Range Fahrenheit (short term)	-40°...250°F	-40°...175°F
Temperature Range Fahrenheit (continuous)	-40°...175°F	-40°...140°F
Electrical Insulation	Totally insulated ☑	Totally insulated ☑
Light Grey Parts Colour	RAL 7035 Industry Grey	RAL 7035 Industry Grey
Transparent Clear PC Cover	Clear transparent	Clear transparent
Cover Screws	RAL 7035	RAL 7035
Cover Screws	Polyamide (PA)	Polyamide (PA)
Gasket	PUR	PUR
Enclosure Flammability Rating	UL 94-5V	UL 94HB
Glow Wire Test (IEC 695-2-1) Self-extinguishing (PC)	960°C	650°C
Non-toxicity	Halogen Free	Halogen Free
UV resistance	UL 508 720 hours in "Weather-ometer"	
Chemical Resistance *	Good	Good

Conformity to standards

USA Enclosures for Electrical Equipment
PC: UL Type 1, 4X, 6, 12 or 13; UL File E75645 Vol 1 Sec 3;
UL 746C-5VA flame test (UL 50/508)

ABS: NEMA 1, 4X, 6, 12 or 13

Canada Industrial Control Equipment
Enclosures for Electrical Equipment/ULC

Europe Empty enclosures for low-voltage switchgear and controlgear assemblies EN 62208:2003 (50298:1998)

Europe Safety of Information Technology Equipment
EN 60950
RoHS directive 2002/95/EC

Russia GostR - Gost Russian certificate of conformity

Data subject to change without notice.

* Consult separate raw material data for more detailed information