

Fibox DG

Fibox DG enclosures, control units for demanding environments have been developed in close co-operation with key customers. Unique design saves time in assembly and on-site installation.



Cable channel
below base



Easy and simple hinge



RoHS compliant and
halogen-free

DG DG 2819

280 x 192

PC: IP 66/IP 67, IK 08
ABS: IP 66/IP 67, IK 07



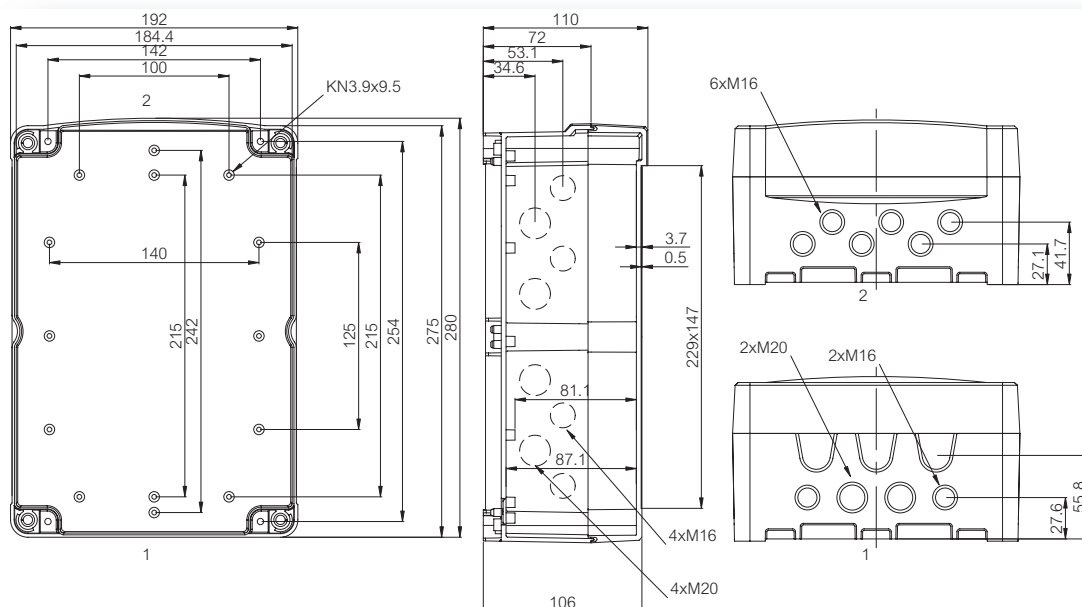
Including: Base with screws for mounting plate/DIN-rail, cover with PUR gasket and polyamide cover screws.
DGM-version: Base with metric knock-outs and U-gland cut-outs.

Enclosures

Order symbol	Code	Dimensions	Description
DGP 281911	6010001	280 x 192 x 110	Enclosure, PC • Grey cover
DGM 281911	6010107	280 x 192 x 110	Enclosure, PC, IP 65 • Metric knock-outs, Grey cover
DGA 281911	6080001	280 x 192 x 110	Enclosure, ABS • Grey cover

Accessories

Order symbol	Code	Dimensions	Description
MIV 200	5514080	223 x 148	Mounting plate (Galvanized steel)
MIV 150	5514078	148 x 98	Mounting plate (Galvanized steel)
MIN 20	6314578	15 x 225	DIN-15 Mounting rail
MIN 15	6314577	15 x 150	DIN-15 Mounting rail
MIV 20	5514084	35 x 225	DIN-35 Mounting rail
MIV 15	5514083	35 x 150	DIN-35 Mounting rail
FP 10674	5510674		Wall fastening lug (2 pcs) • incl. screws



ACCESSORIES

Order symbol	Code	Description
--------------	------	-------------

Mounting plates (Galvanized steel, sheet thickness 1,5 mm)

MIV 150	5514078	148 x 98
MIV 200	5514080	223 x 148



DIN-15 Mounting rails (Galvanized steel, rail height 5,0 mm)

MIN 15	6314577	15 x 150
MIN 20	6314578	15 x 225



DIN-35 Mounting rails (Galvanized steel, rail height 7,5 mm)

MIV 15	5514083	35 x 150
MIV 20	5514084	35 x 225



Hinges and wall mounting

TH SET	6314020	Plastic hinge set (2 pcs)
FP 10674	5510674	Wall fastening lug (2 pcs) ▪ incl. screws



Polyamide U-Cable gland, Grey RAL 7035, IP 65

GPU 10-14	7016310	U-Cable gland for cable 10-14 mm ▪ Temperature range -30...+80°C
-----------	---------	--



Cover and mounting screws

CS 26131	7346131	Cover screw
CSS 26131	6300008	Cover screw set ▪ 4 x CS 26131 + 4 x KN 3.9x9.5
KN 3.9x9.5	5514042	Mounting screw



DG technical information

Property	Polycarbonate (PC)	ABS
Ingress Protection (EN 60529)	IP 66/IP 67	IP 66/IP 67
Impact Resistance (EN 62262)	IK 08	IK 07
Temperature Range Celsius	-40° . . 120°C	-40° . . 80°C
(short term) Fahrenheit	-40° . . 250°F	-40° . . 175°F
Temperature Range Celsius	-40° . . 80°C	-40° . . 60°C
(continuous) Fahrenheit	-40° . . 175°F	-40° . . 140°F
Electrical Insulation	Totally insulated ☐	Totally insulated ☐
Light Grey Parts Colour	RAL 7035 Industry Grey	RAL 7035 Industry Grey
Cover Screws	Grey	Grey
Cover Screws	Polyamide (PA)	Polyamide (PA)
Gasket	PUR	PUR
Enclosure Flammability Rating	UL 94-5V	UL 94HB
Glow Wire Test (IEC 695-2-1) Self-extinguishing (PC)	960°C	650°C
Non-toxicity	Halogen Free	Halogen Free
UV resistance	UL 508 720 hours in "Weather- ometer"	
Chemical Resistance *	Good	Good

Confirmity to standards

USA Enclosures for Electrical Equipment
PC: NEMA 1, 3, 3S, 4*, 4X*, 6, 12 or 13; UL 746C-5VA
flame test (UL 50/508)

* All but DGM with U-cable glands.
ABS: NEMA 1, 4, 4X, 6, 12 or 13

Europe Empty enclosures for low-voltage switchgear and
controlgear assemblies EN 62208:2003 (50298:1998)
RoHS directive 2002/95/EC

Data subject to change without notice.

* Consult separate raw material data for more detailed information