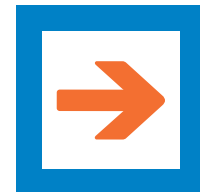


Fibox CARDMASTER

CARDMASTER range is ideal for packaging instrumentation, measurement, monitoring and process control equipment. It provides two compartments - one for circuit boards and sensors with slots for printed circuit board insertion, and another one for terminal and wiring. All sizes are available in both polycarbonate and ABS.



CARDMASTER



Separate terminal wiring compartment



NEMA 4X compliant



RoHS compliant and halogen-free

CARDMASTER

PC/ABS 17/16 L

188 x 160

PC: IP 65, IK 07/IK 08
ABS: IP 65, IK 07



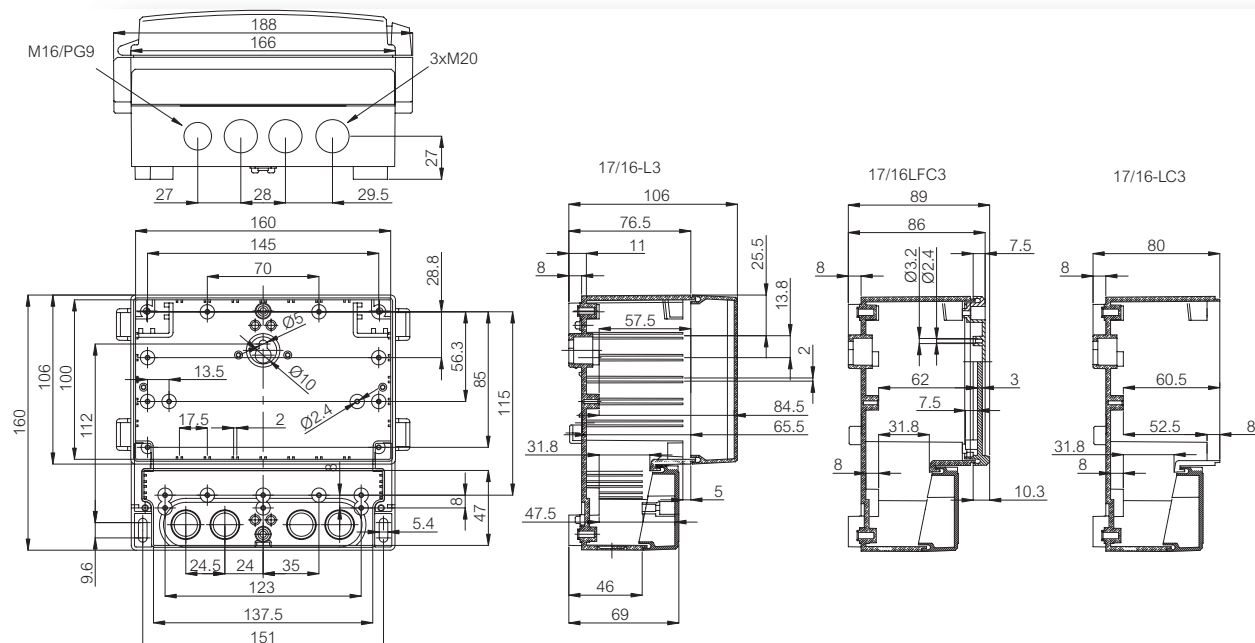
Including: Base, terminal compartment cover with EPDM gasket and screws for mounting plate/DIN-rail.
-3 and -L3 versions: Transparent cover with PUR gasket, hinges, locking devices; FC version: Closed PC frame front plate with PUR gasket and cover screws.

Enclosures

Order symbol	Code	Dimensions	Description
PC 17/16-LC3	7520104	166 x 160 x 80	Enclosure, PC • Without main cover
PC 17/16-L3	7525105	188 x 160 x 106	Enclosure, PC • Smoked transparent hinged cover
PC 17/16-L3TT	7526105	188 x 160 x 106	Enclosure, PC • Clear transparent hinged cover
PC 17/16-LFC3	7520204	166 x 160 x 89	Enclosure, PC • Grey screw cover
ABS 17/16-LC3	7580104	166 x 160 x 80	Enclosure, ABS • Without main cover
ABS 17/16-L3	7585105	188 x 160 x 106	Enclosure, ABS • Smoked transparent hinged cover
ABS 17/16-L3TT	7586105	188 x 160 x 106	Enclosure, ABS • Clear transparent hinged cover

Accessories

Order symbol	Code	Dimensions	Description
MP 17/16	7720071	136 x 133	Mounting plate
FP 17/16	7720070	158 x 98	Front plate (aluminium)
FC PC 17/16	7720102	166 x 106 x 16	Frame of PC front plate





CARDMASTER PC/ABS 17/16

188 x 160

PC: IP 65, IK 07/IK 08
ABS: IP 65, IK 07

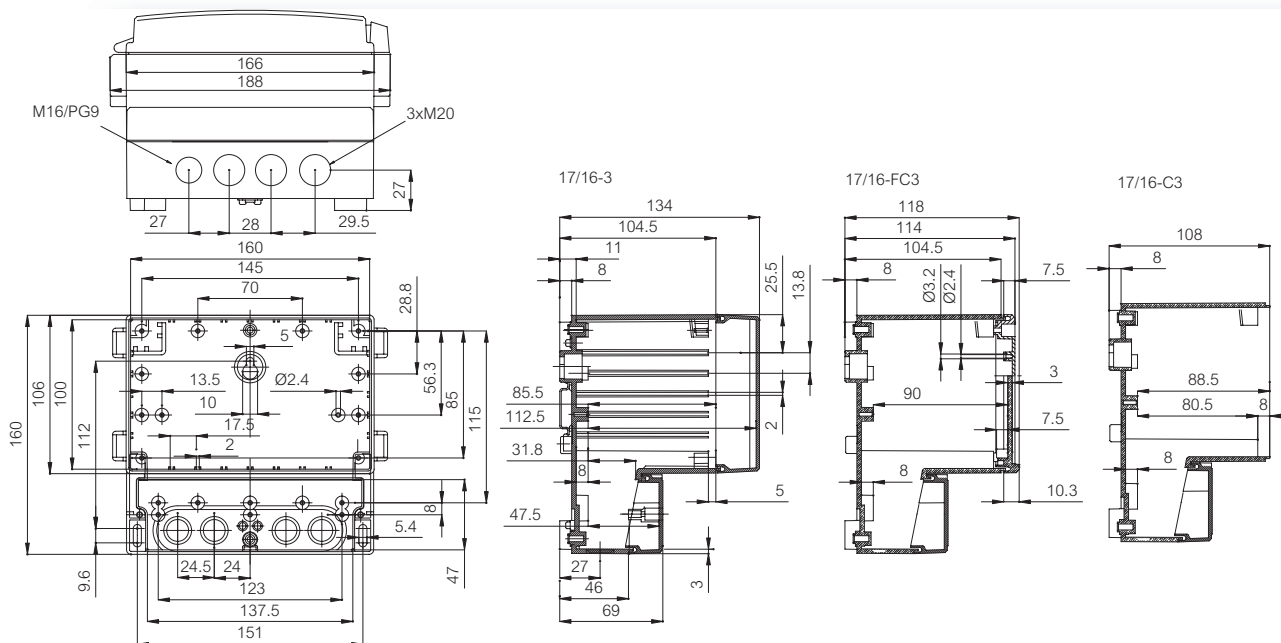
Including: Base, terminal compartment cover with EPDM gasket and screws for mounting plate/DIN-rail. -3 and -L3 versions: Transparent cover with PUR gasket, hinges, locking devices; FC version: Closed PC frame front plate with PUR gasket and cover screws.

Enclosures

Order symbol	Code	Dimensions	Description
PC 17/16-C3	7520080	166 x 160 x 108	Enclosure, PC • Without main cover
PC 17/16-3	7525165	188 x 160 x 134	Enclosure, PC • Smoked transparent hinged cover
PC 17/16-3TT	7526165	188 x 160 x 134	Enclosure, PC • Clear transparent hinged cover
PC 17/16-FC3	7520280	166 x 160 x 118	Enclosure, PC • Grey screw cover
ABS 17/16-C3	7580080	166 x 160 x 108	Enclosure, ABS • Without main cover
ABS 17/16-3	7585165	188 x 160 x 134	Enclosure, ABS • Smoked transparent hinged cover
ABS 17/16-3TT	7586165	188 x 160 x 134	Enclosure, ABS • Clear transparent hinged cover

Accessories

Order symbol	Code	Dimensions	Description
MP 17/16	7720071	136 x 133	Mounting plate
FP 17/16	7720070	158 x 98	Front plate (aluminium)
FC PC 17/16	7720102	166 x 106 x 16	Frame of PC front plate



CARDMASTER

PC/ABS 21/18

235 x 185

PC: IP 65, IK 07/IK 08
ABS: IP 65, IK 07



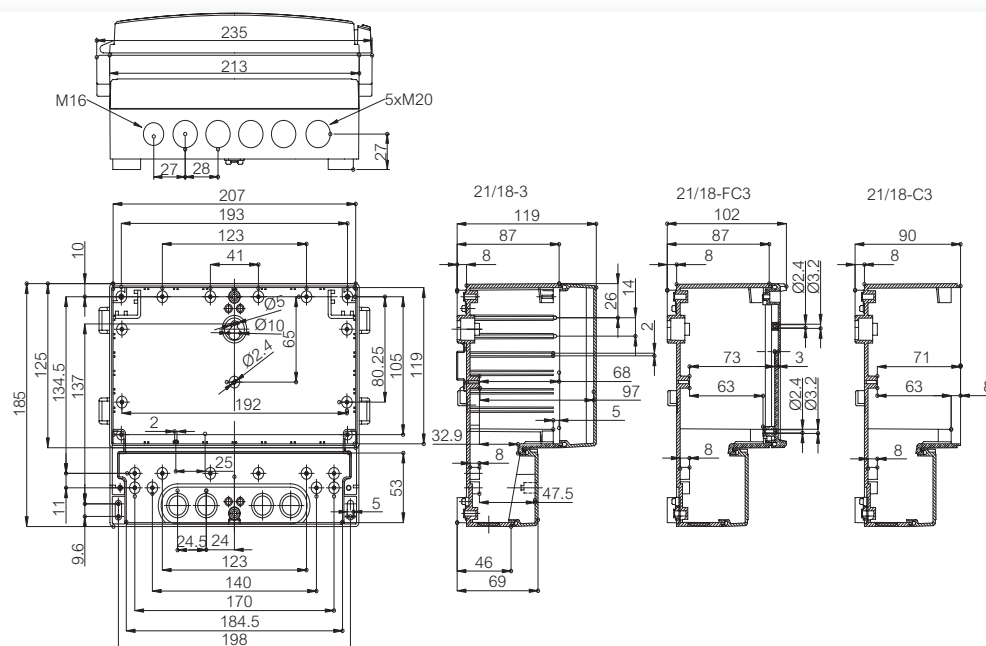
Including: Base, terminal compartment cover with EPDM gasket and screws for mounting plate/DIN-rail. -3 and -L3 versions: Transparent cover with PUR gasket, hinges, locking devices; FC version: Closed PC frame front plate with PUR gasket and cover screws.

Enclosures

Order symbol	Code	Dimensions	Description
PC 21/18-C3	7520081	213 x 185 x 90	Enclosure, PC • Without main cover
PC 21/18-3	7525154	235 x 185 x 119	Enclosure, PC • Smoked transparent hinged cover
PC 21/18-3TT	7526154	235 x 185 x 119	Enclosure, PC • Clear transparent hinged cover
PC 21/18-FC3	7520281	213 x 185 x 102	Enclosure, PC • Grey screw cover
ABS 21/18-C3	7580081	213 x 185 x 90	Enclosure, ABS • Without main cover
ABS 21/18-3	7585154	235 x 185 x 119	Enclosure, ABS • Smoked transparent hinged cover
ABS 21/18-3TT	7586154	235 x 185 x 119	Enclosure, ABS • Clear transparent hinged cover

Accessories

Order symbol	Code	Dimensions	Description
MP 21/18	7720035	142 x 200	Mounting plate
FP 21/18	7720026	205 x 117	Front plate (aluminium)
FC PC 21/18	7720100	213 x 125 x 20	Frame of PC front plate





CARDMASTER

PC/ABS 25/22

280 x 219

PC: IP 65, IK 07/IK 08
ABS: IP 65, IK 07

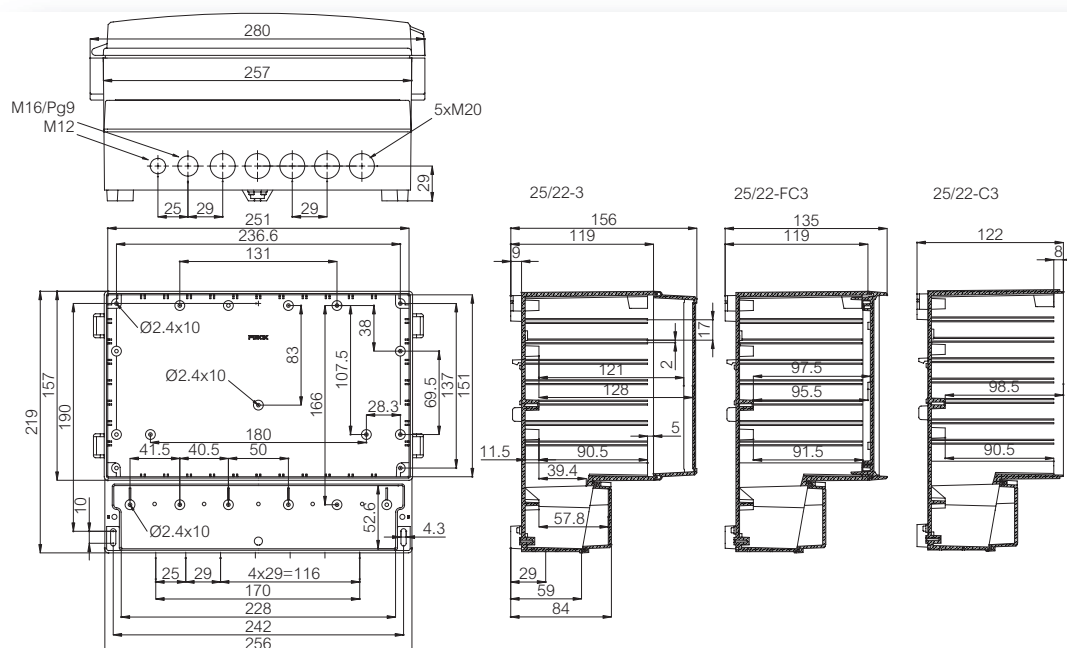
Including: Base, terminal compartment cover with EPDM gasket and screws for mounting plate/DIN-rail. -3 and -L3 versions: Transparent cover with PUR gasket, hinges, locking devices; FC version: Closed PC frame front plate with PUR gasket and cover screws.

Enclosures

Order symbol	Code	Dimensions	Description
PC 25/22-C3	7520141	257 x 219 x 122	Enclosure, PC • Without main cover
PC 25/22-3	7525134	280 x 219 x 156	Enclosure, PC • Smoked transparent hinged cover
PC 25/22-3TT	7526134	280 x 219 x 156	Enclosure, PC • Clear transparent hinged cover
PC 25/22-FC3	7520241	257 x 219 x 135	Enclosure, PC • Grey screw cover
ABS 25/22-C3	7580141	257 x 219 x 122	Enclosure, ABS • Without main cover
ABS 25/22-3	7585134	280 x 219 x 156	Enclosure, ABS • Smoked transparent hinged cover
ABS 25/22-3TT	7586134	280 x 219 x 156	Enclosure, ABS • Clear transparent hinged cover

Accessories

Order symbol	Code	Dimensions	Description
MP 25/22	7720140	225 x 175	Mounting plate
FP 25/22	7720139	250 x 150	Front plate (aluminium)
FC PC 25/22	7720111	257 x 157 x 30	Frame of PC front plate



CARDMASTER PC/ABS 30/25

320 x 260

PC: IP 65, IK 07/IK 08
ABS: IP 65, IK 07



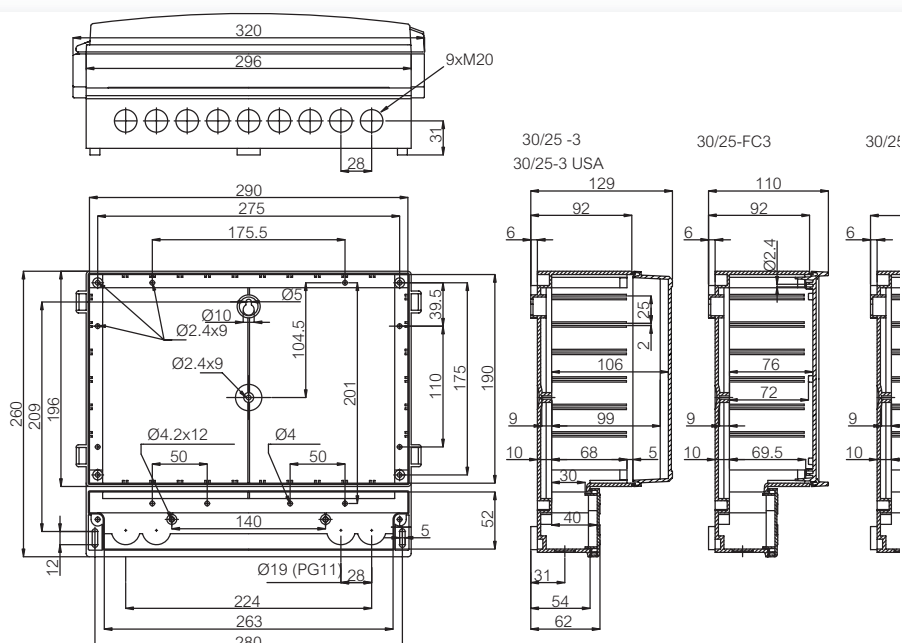
Including: Base, terminal compartment cover with EPDM gasket and screws for mounting plate/DIN-rail.
-3 and -L3 versions: Transparent cover with PUR gasket, hinges, locking devices; FC version: Closed PC frame front plate with PUR gasket and cover screws.

Enclosures

Order symbol	Code	Dimensions	Description
PC 30/25-C3	7520031	314 x 260 x 95	Enclosure, PC • With aluminium front plate
PC 30/25-3	7525019	320 x 260 x 129	Enclosure, PC • Smoked transparent hinged cover
PC 30/25-3TT	7526019	320 x 260 x 129	Enclosure, PC • Clear transparent hinged cover
PC 30/25-FC3	7520231	314 x 260 x 110	Enclosure, PC • Grey screw cover
ABS 30/25-C3	7580031	314 x 260 x 95	Enclosure, ABS • With aluminium front plate
ABS 30/25-3	7585019	320 x 260 x 129	Enclosure, ABS • Smoked transparent hinged cover
ABS 30/25-3TT	7586019	320 x 260 x 129	Enclosure, ABS • Clear transparent hinged cover

Accessories

Order symbol	Code	Dimensions	Description
MP 30/25	7720033	282 x 215	Mounting plate
FP 30/25	7720027	289 x 189	Front plate (aluminium)
FC PC 30/25	7720112	296 x 196 x 30	Frame of PC front plate



ACCESSORIES

Order symbol Code Description

Mounting plates (Galvanized steel, sheet thickness 1,5 mm)

MP 17/16	7720071	136 x 133
MP 21/18	7720035	142 x 200
MP 25/22	7720140	225 x 175
MP 30/25	7720033	282 x 215
MP 36/31	7720036	345 x 258

Front plates (Aluminium, sheet thickness 1,5 mm)

FP 17/16	7720070	158 x 98
FP 21/18	7720026	205 x 117
FP 25/22	7720139	250 x 150
FP 30/25	7720027	289 x 189
FP 36/31	7720028	354 x 224

Frames IP 65 (Polycarbonate, PUR Gasket)

FC PC 17/16	7720102	166 x 106 x 16
FC PC 21/18	7720100	213 x 125 x 20
FC PC 25/22	7720111	257 x 157 x 30
FC PC 30/25	7720112	296 x 196 x 30

Smoked transparent covers (Polycarbonate, PUR Gasket)

CM 17/16-3T	7720123	187 x 106 x 30
CM 21/18-3T	7720122	233 x 125 x 31
CM 25/22-3T	7720134	279 x 157 x 36
CM 30/25-3T	7720094	318 x 196 x 36
CM 36/31-3T	7720113	386 x 233 x 37

Clear transparent covers (Polycarbonate, PUR Gasket)

CM 17/16-3TT	7720223	187 x 106 x 30
CM 21/18-3TT	7720222	233 x 125 x 31
CM 25/22-3TT	7720234	279 x 157 x 36
CM 30/25-3TT	7720294	318 x 196 x 36
CM 36/31-3TT	7720213	386 x 233 x 37

Hinges and wall mounting

SET 17/16-21/18-3	7720417	Set of hinges and latches
SET 25/22-3	7720424	Set of hinges and latches
SET 30/25-3	7720418	Set of hinges and latches
SET 36/31-3	7720419	Set of hinges and latches
FP 10674	5510674	Wall fastening lug (2 pcs) • incl. screws

Mounting screws and other accessories

SET CM PLATE	7720566	Screw set • incl. 8 mounting screws and 2 locking screws
SET CM FRAME	7720150	Screw set • Incl. wall mounting cover plug and 4 mounting screws
MB 20064 SET	7720464	Fastening lug set for DIN rail



CARDMASTER technical information

Property	Polycarbonate (PC)	ABS
Ingress Protection (EN 60529)	IP 65	IP 65
Impact Resistance (EN 62262)	IK 07 (side surface) IK 08 (front surface)	IK 07
Temperature Range Celsius (short term)	-40° . . 120°C	-40° . . 80°C
Temperature Range Fahrenheit (short term)	-40° . . 250°F	-40° . . 175°F
Temperature Range Celsius (continuous)	-40° . . 80°C	-40° . . 60°C
Temperature Range Fahrenheit (continuous)	-40° . . 175°F	-40° . . 140°F
Electrical Insulation	Totally insulated ☐	Totally insulated ☐
Light Grey Parts Colour	RAL 7035 Industry Grey	RAL 7035 Industry Grey
Transparent Clear PC Cover	Smoked Grey or Clear	Smoked Grey or Clear
Latches (PA)	RAL 5023	RAL 5023
Gasket	PUR/EPDM	PUR/EPDM
Enclosure Flammability Rating	UL 94-5V	UL 94HB
Glow Wire Test (IEC 695-2-1) Self-extinguishing (PC)	960°C	650°C
Non-toxicity	Halogen Free	Halogen Free
UV resistance	UL 508 720 hours in "Weather-ometer"	
Chemical Resistance *	Good	Good

Confirmity to standards

USA Enclosures for Electrical Equipment
 PC: UL Type 1, 4X* or 12K; UL File E75645 Vol 1 Sec 5;
 UL 746C-5VA flame test (UL 50/508)
 *PC 17/16L, 17/16 and 21/18: -3 and -FC3 -models
 ABS: NEMA 1, 12K

Canada Industrial Control Equipment
 Enclosures for Electrical Equipment/ULc

Europe Empty enclosures for low-voltage switchgear and controlgear assemblies EN 62208:2003 (50298:1998)

Europe Safety of Information Technology Equipment EN 60950

RoHS directive 2002/95/EC

Russia GostR - Gost Russian certificate of conformity

Data subject to change without notice.

*Consult separate raw material data for more detailed information



FIBOX – Solutions for demanding environments

